

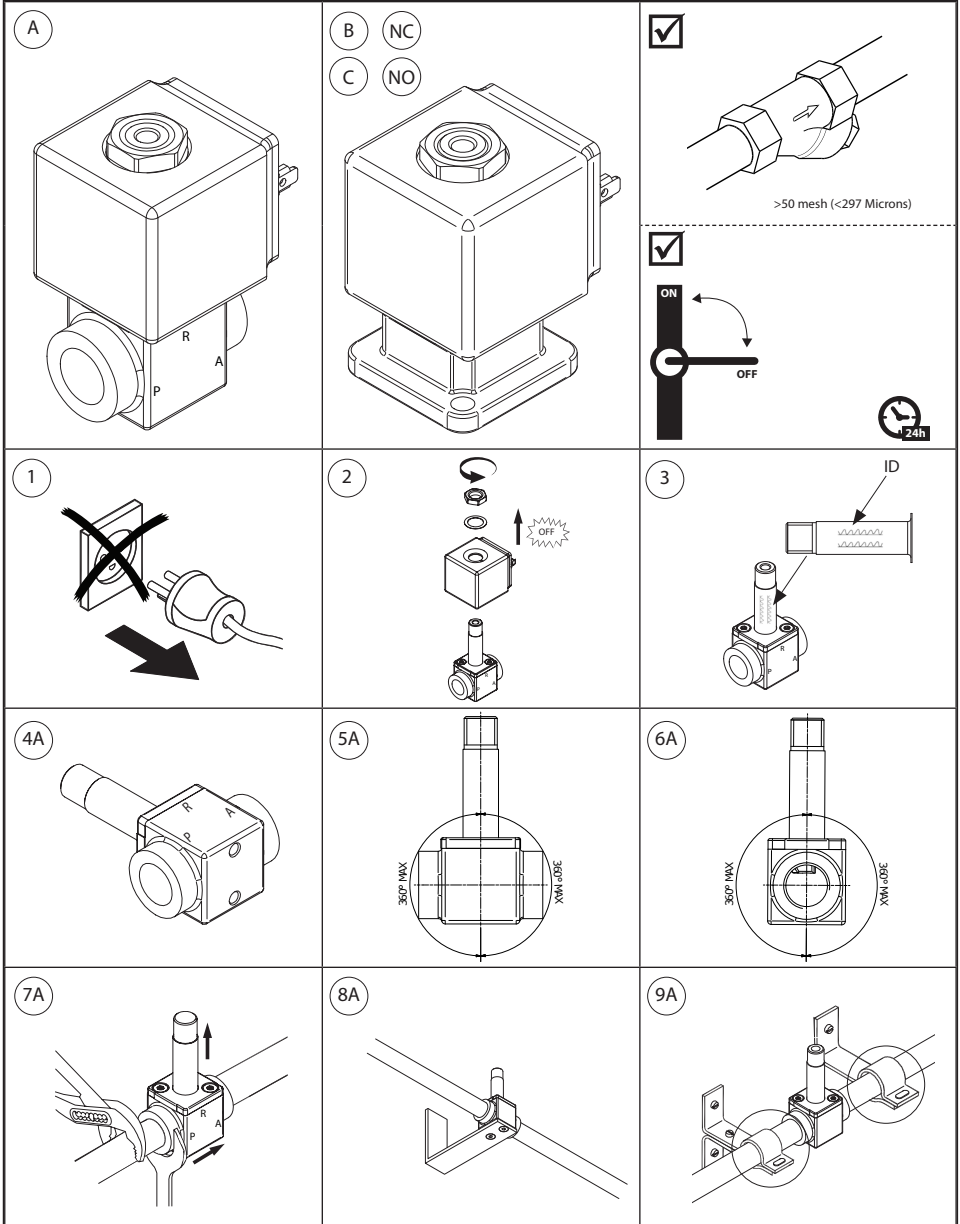
Installation guide

Solenoid valve

Type EV310A

520B1034

520B1034



4B

5B

4C

5C

6BC

7BC

8BC

2.6 Nm ± 0.2 Nm

9B

9C

10

1.4 Nm ± 0.3 Nm

11

12

13

DN	Max. Working Pressure (MWP) [bar]	Max. Test pressure (MTP) [bar]
1.2 NC	20	30
1.2 NO	13	19.5
1.5 NC / FL	12	18
1.5 NO	7	10.5
2 NC	8	12

EN 60730-2-8