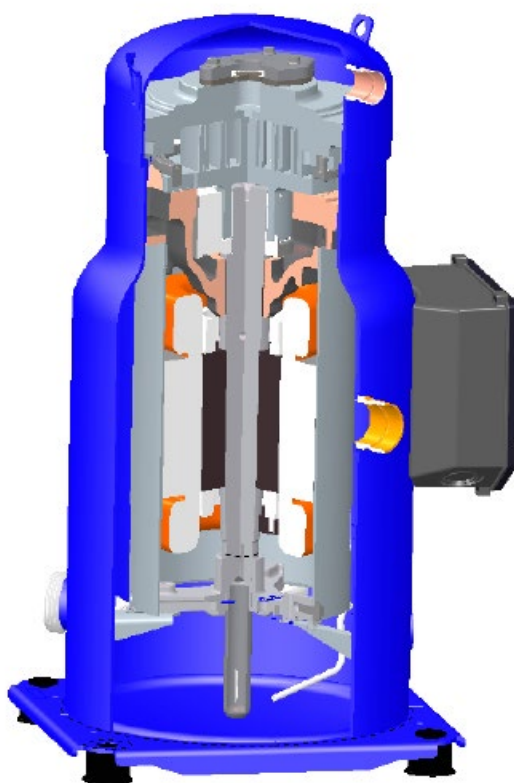


MLM / MLZ 116, Scroll compressors

The addition of the 15HP scroll compressor for MBP/LBP refrigeration perfectly suits the OEM and contractor requirements for cold rooms,

mushroom growing rooms, supermarket racks, lab equipment and ice makers with low applied costs.

Features MLM / MLZ 116



Facts

Applications:

- A design appropriate for cold rooms operating at typically -18 °C
- A high cooling capacity allowing fast pull down

- Industry leading energy efficiency when maintaining the room temperatures with an highly energy efficient motor and a scroll wrap optimized for refrigeration

- Higher energy efficiency, temperature control, flexibility and lower applied costs with staged modulation and manifold configurations

Technical data and ordering

MLM / MLZ 116 - Scroll compressors - R404A

Ordering - Industrial pack

Compressor model	Model variation	Connections	Features	Voltage code 4
Danfoss pallet MLM116	B	C	5	120H1118
	B	Q	5	120H1231
MLZ116	B	C	5	120H1117
	B	Q	5	120H1230

MLM / MLZ 116 - Scroll compressors - R404A - 50 Hz

Technical data

Compressor model	HP	Nominal cooling capacity		Power input	Efficiency		Swept volume	Displacement	Oil charge	Net weight (with oil)
		[W]	[Btu/h]		[kW]	COP				
MLM116	15	24451	83427	10789	2.27	7.73	249.9	43.5	6.7	100
MLZ116	15	26865	91664	12127	2.22	7.56	249.9	43.5	6.7	100

Note: EN12900 conditions: $T_o = -10\text{ }^\circ\text{C}$, $T_c = 45\text{ }^\circ\text{C}$, $RGT = 20\text{ }^\circ\text{C}$, $SC = 0\text{ K}$

MLM / MLZ 116 - Scroll compressors - R22 - R404A - 50 Hz

Performance table

Type	-30		-25		-20		-15		-10		-5		0		5		10		
	T_c	Q_o	P_e	Q_o	P_e	Q_o	P_e	Q_o	P_e	Q_o	P_e	Q_o	P_e	Q_o	P_e	Q_o	P_e	Q_o	P_e
MLM116T4	30	-	-	-	-	18710	7.69	23111	8.19	28238	8.79	34179	9.45	41027	10.16	48885	10.88	57871	11.58
	40	-	-	-	-	-	-	21029	9.47	25742	10.03	31195	10.70	37477	11.47	44685	12.31	52927	13.20
	50	-	-	-	-	-	-	-	-	23137	11.68	28072	12.30	33759	13.06	40285	13.95	47751	14.94
MLZ116T4	30	14300	7.94	17866	8.30	22071	8.72	26998	9.21	32732	9.77	39357	10.43	46965	11.18	55659	12.05	65568	13.04
	40	12557	9.48	15766	9.83	19508	10.23	23865	10.70	28914	11.23	34735	11.85	41407	12.56	49015	13.37	57662	14.30
	50	-	-	13483	11.79	16693	12.19	20409	12.64	24706	13.15	29653	13.74	35317	14.41	41766	15.18	49071	16.06

T_o : Evaporating temperature in $^\circ\text{C}$

T_c : Condensing temperature in $^\circ\text{C}$

Q_o : Cooling Capacity in [W]

P_e : Power input in [kW]

Subcooling: 0 K

RTG: 20 $^\circ\text{C}$



For more information and performance with other refrigerants, please refer to Coolselector[®] 2 at coolselector.danfoss.com or contact Danfoss.

Nomenclature and Dimensions

	Type	Size	Motor	Features
	MLZ	116	T4B	C5

Application:
M: Medium temperature refrigeration

Family, Refrigerant:
LZ: R404A, PVE lubricant (160HV)
LM: R22, mineral lubricant

Nominal capacity:
In thousand Btu/h at 60 Hz, ARI, MBP conditions

Model variation:
T: Design optimised for refrigeration

Other features

	Oil sight glass	Oil equalisation	Oil drain	LP gauge port	Gas equalisation port
S	Threaded	Threaded	Schrader	Schrader	None

Tubing and electrical connections:
C: Brazed connections, screw terminals
Q: Rotolock connections, screws terminals

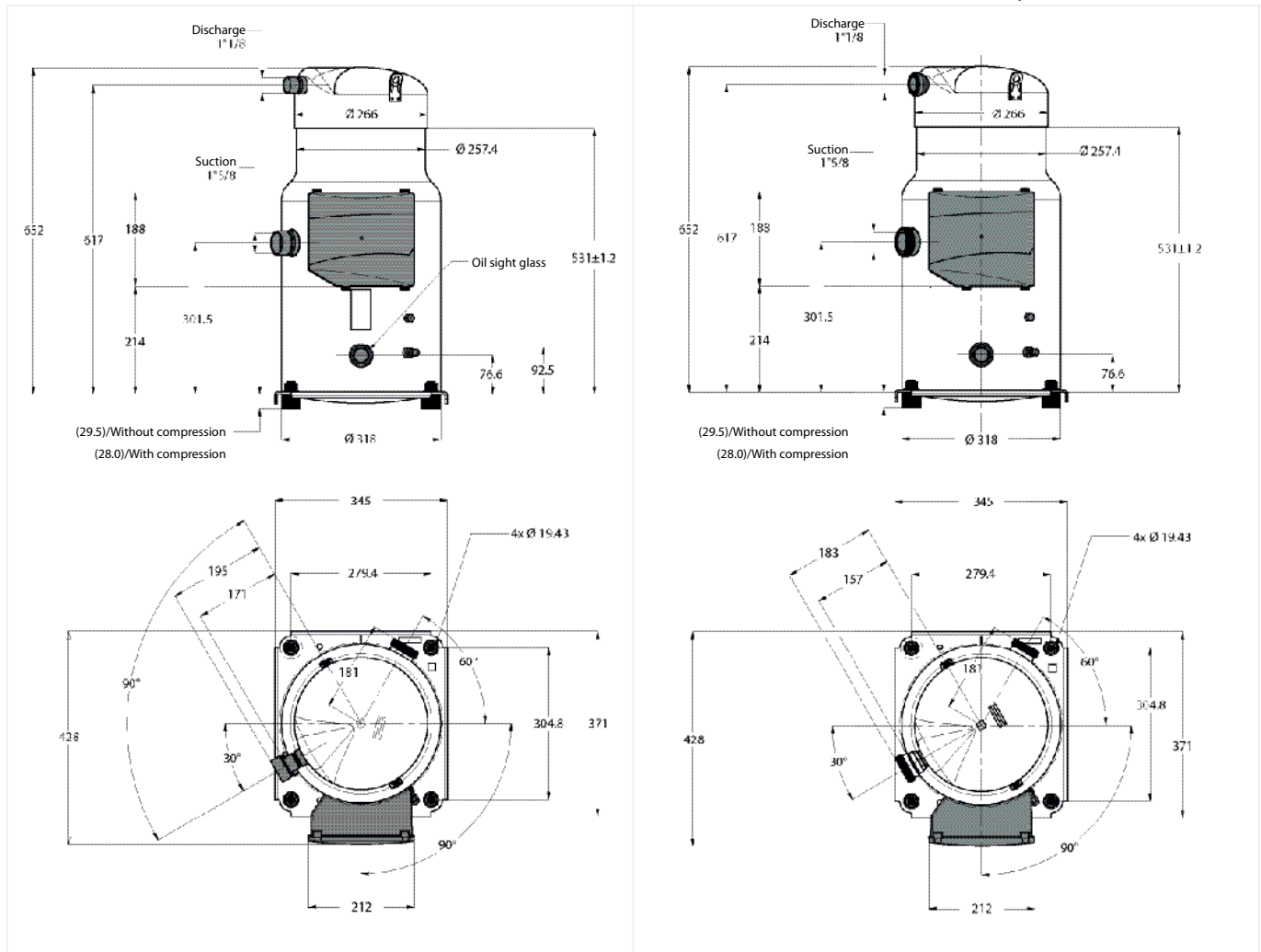
Motor protection:
B: Electronic, 230 V

Motor voltage code
4: 380-415 V/3 ph/50 Hz

MLM / MLZ 116

Braze connection-MLZ116 T4BC5

Rotolock connection-MLZ116 T4QC5



All dimensions are in mm